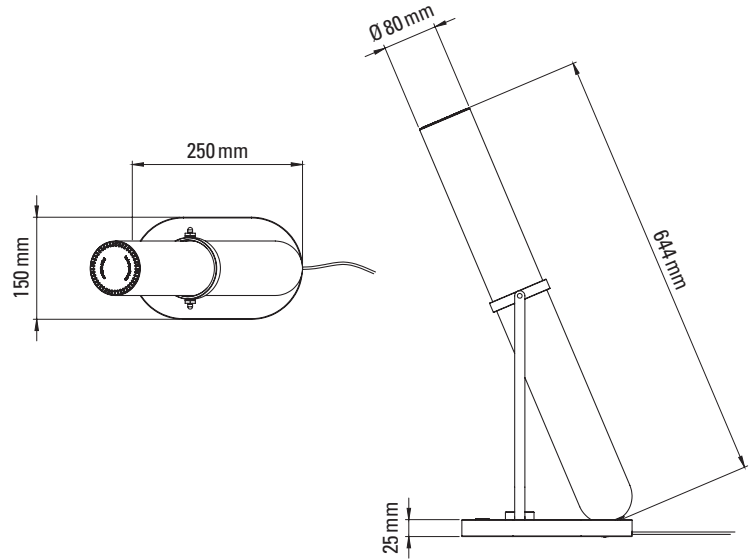




# LA LAMPE FRECHIN

de Jean-Louis Frechin



## FICHE TECHNIQUE TECHNICAL SHEET



LAMPE DE TABLE TABLE LAMP

<b>Matériaux</b> Materials	<b>Marbre, verre, aluminium</b> Marble, glass, aluminum
<b>Poids net</b> Net weight	<b>3,7 kg</b>
<b>Emballage</b> Packaging	<b>865 x 370 x 270 mm</b>
<b>IP</b> IP	<b>20</b>

<b>Tension</b> Voltage	<b>110/240V</b>
<b>Classe</b> Class	<b>3</b>
<b>Watt</b> Watt	<b>12,4W</b>
<b>Source</b> Source	<b>INTEGRATED LED 2700K</b> <b>Dimmable</b>
<b>Lumens</b> Lumens output	<b>1240 lm (valeur nominale)</b> 1240 lm (nominal value)
<b>Driver</b> Driver	<b>Driver externe fourni</b> <b>Dimmable Step 515 mA / 24V</b> External driver supplied Step dimmable 515 mA / 24V
<b>Câble</b> Wire	<b>Longueur : 2100 mm</b> Length : 2100 mm
<b>Interrupteur</b> Switch	<b>Sur la lampe</b> <b>Interrupteur tactile</b> On the lamp Touch switch
<b>Fiches</b> Plug	<b>A, C, G</b>

**FINITION** FINISH



**Gold**  
**Black**  
GOLD-BL

**DCW**éditions  
PARIS

71 rue de la Fontaine au Roi  
75011 Paris — France  
+33 (0)1 40 21 37 60  
sales@dcwe.fr