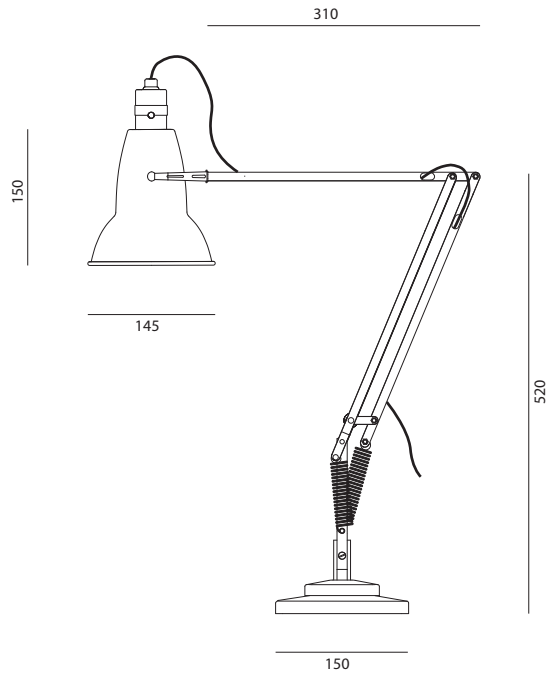


Table Lamp | Technical Specification



Description

The Anglepoise® Original 1227™, the ingenious adjustable table lamp designed by George Carwardine, has become a true British icon. First produced in 1934 and using constant tension springs, the lamp offered unrivalled flexibility, smooth movement and the ability to support itself in any position. Today, the Original 1227™ has been carefully updated to modern safety standards.

Colour

Available in Jet Black, Ivory Cream, Signal Red, Bright Chrome.

Materials

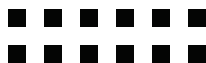
- Aluminium shade
- Aluminium arms and metal joints
- Cast iron base with steel cover
- Stainless steel fittings
- Anglepoise® constant tension spring technology

Dimensions

- Shade diameter 145mm
- Shade height 150mm
- Reach 600mm
- Base size 150 x 150mm
- Cable length 2m

Electrical

- Voltage 220/240 volts 50/60Hz
- Supplied with energy efficient 15 watt E27 ES CFL spiral bulb
- US markets supplied with E26 lamp holder
- Switch in lamp holder
- Double insulated
- Bulb: 60 Watt max. (weight dependent)



APTOS CRUZ GALLERIES